



# Credit Card DCA

The Credit Card DCA (CC DCA) is designed to be user-friendly for those unattended refuelling sites that require payment.

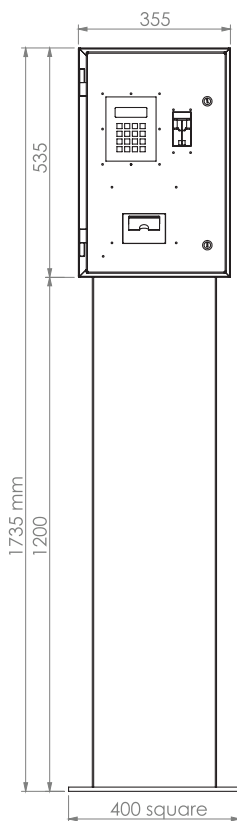


# The Compac Credit Card DCA is a stand-alone payment terminal that is ideal for unattended refuelling.

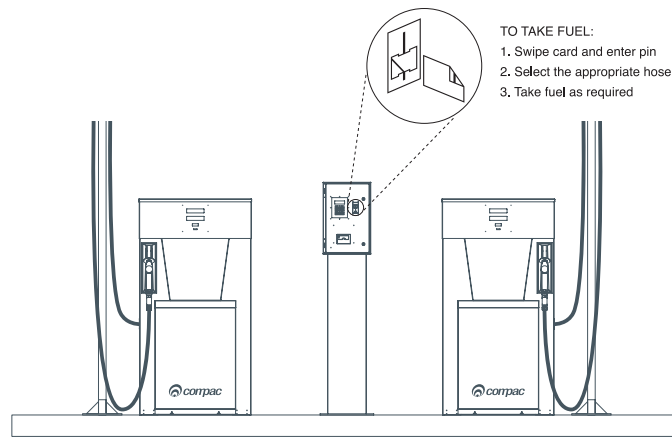
To limit risk, when a Credit Card is swiped, a preauthorised amount is set and checked to ensure available funds. All transactions can be viewed through CompacOnline.

CompacOnline allows you to: manage credit card transactions, manage account/prepay cards, adjust pump pricing remotely, run reports and check tank levels.

*Note: All Credit Card transactions are processed directly by Payment Express, CompacOnline only records a sales analysis record for these transactions.*



Specifications	
Model	CC DCA
No. of Pumps	1-16
Pump Control	Compac or PEC Comms
Mechanical Register I/F	✓
Power	240V
NMI Approval	✓
Data Transfer	Automatic transfer to CompacOnline via ADSL or Wireless 3G
Transaction Capacity	5000
No. of Vehicles / Drivers	2000
Data Entry	Prompt for ODO, PIN or custom field
Tank Gauging I/F	Veeder-Root, Fafnir or Franklin
Printer	✓
Construction	Stainless Steel



**Typical Installation of CC DCA**



**Compac Industries Ltd**  
 52 Walls Road, Penrose  
 Auckland 1061  
 New Zealand  
 PO Box 12 417, Penrose  
 Auckland 1642  
 New Zealand  
 Tel: +64 9 579 2094  
 Fax: +64 9 579 0635  
[www.compacngv.com](http://www.compacngv.com)  
[www.compac.co.nz](http://www.compac.co.nz)

**Compac Sales Pty Ltd**  
 32 Boundary St  
 South Melbourne, VIC 3205  
 Australia  
 PO Box 312  
 Port Melbourne, VIC 3207  
 Australia  
 Tel: +61 3 8696 4888  
 Fax: +61 3 8696 4817  
[www.compacsales.com.au](http://www.compacsales.com.au)

**Compac Industries India Ltd**  
 K 73 Udyog Nagar  
 Main Rohtak Road  
 Delhi - 110041  
 India  
 Mobile: +91 85888 78287  
[www.compacindia.com](http://www.compacindia.com)